

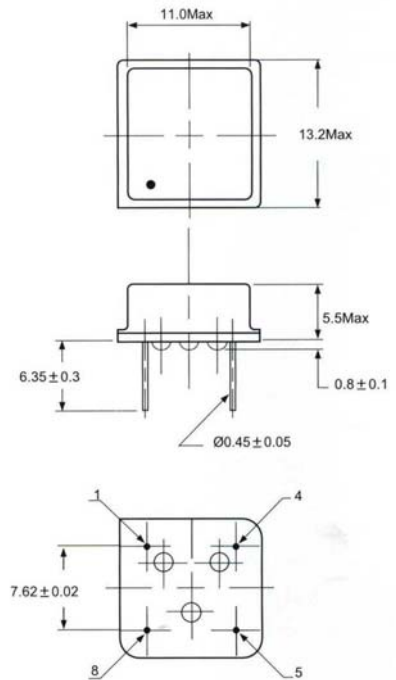


Voltage Controlled Crystal Oscillators

---Type: VCXO-H

SPECIFICATIONS:

Frequency Range	1.000MHz~160.000MHz
Operating Temperature	-10°C~+60°C(Standard)
Storage Temperature	-55°C~+125°C
Frequency Stability Over Temp.	±100ppm(Standard)
Supply Voltage	5.0±10% VDC 3.3±10% VDC
Supply Current (max):	
1.000MHz≤F<24.000MHz	25mA
24.000MHz≤F<45.000MHz	30mA
45.000MHz≤F<70.000MHz	60mA
70.000MHz≤F≤160.000MHz	90mA
Rise/Fall Time (max)	10ns
Voltage Control Range	+2.5VDC±2.0VDC (5.0V) +1.5VDC±1.0VDC (3.3V)
Pulling Range	±100ppm (standard)
Start-up Time (max)	10 ms
Output Load	10TTL/15pF compatible
Symmetry	50±10% (Standard)



Temperature Range and Stability

	±30ppm	±50ppm	±100 ppm
A0= 0~+50	○	○	○
A1= -10~+60	○	○	○
A2=-20~+70	—	○	○
A3=-30~+75	—	—	○
A4=-40~+85	—	—	○

PIN	FUNCTION
# 1	VCON
# 4	GROUND
# 5	OUTPUT
# 8	VDD

ORDRE OPTION:

Type	Frequency (MHz)	Supply Voltage (V)	Freq. Stability (ppm)	Pulling Range (ppm)	Symmetry	Operating Temp. (°C)
VCXO-H	1.000~100.000	V5 = 5.0±10% VDC V3 = 3.3±10% VDC	±30 ±50	±50 ±100 ±150 ±200	S=50±5%	A0= 0~+50 A1= -10~+60 A2=-20~+70 A3=-30~+75 A4=-40~+85
	100.000~160.000	V5 = 5.0±10% VDC	±100			

i.e. : VCXO-H – 50.000- V5-30/50-S-A1