



FEATURES:

- Height 3.5 (2.5) mm
- Resistance welded
- Wide Frequency Range
- Low cost
- Tight Specifications

Quartz Crystals

--- Type: 49S

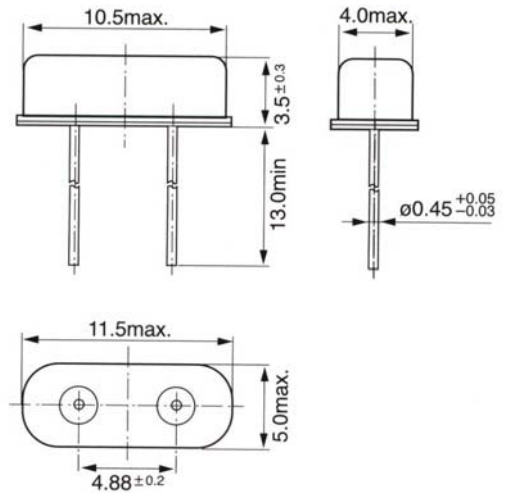
SPECIFICATIONS:

Frequency Range	3.579545~64.0000MHz
Operating Mode	3.579545~40.0000 Fundamental
	24.576000~64.0000 3rd Overtone
Operating Temp. Range	-10°C~+60°C (Standard)
Storage Temperature	-55°C~+85°C
Frequency Tolerance @ 25°C	±50ppm (Standard)
Frequency Stability Over Temp.	±50ppm (Standard)
Shunt Capacitance	7pF
Load Capacitance	10~47pF, Series (30pF Standard)
Drive Level	0.05mW~0.5mW (0.1mW Standard)
Aging @ 25°C	±5 ppm /year



ESR CHART (max):

Frequency Range (MHz)	ESR (Ω)	Frequency Range (MHz)	ESR (Ω)
3.579545~3.999999	180Ω	9.000000~14.999999	50Ω
4.000000~4.499999	130Ω	15.000000~18.999999	40Ω
4.500000~5.499999	120Ω	19.000000~40.000000	30Ω
5.500000~6.499999	80Ω	24.576000~35.000000	130Ω(3 rd)
6.500000~8.999999	70Ω	35.000000~64.000000	100Ω(3 rd)



Temperature Range and Stability

	±10ppm	±15 ppm	±20 ppm	±30 ppm	±50 ppm
A0= 0~+50	○	○	○	○	○
A1= -10~+60	○	○	○	○	○
A2= -20~+70	—	○	○	○	○
A3= -30~+75	—	—	○	○	○
A4= -40~+85	—	—	○	○	○
A5= -55~+85	—	—	—	—	○

ORDER OPTIONS:

Type	Freq. (MHz)	Load Cap. (pF)	Freq. Tolerance (ppm)	Freq. Stability (ppm)	Operating Temp. (°C)	Operating Mode	Package
49S	3.579545 ~ 64.00000	C10~47 S=Series	±10 ±15 ±20 ±30 ±50	±10 ±15 ±20 ±30 ±50	A0 = 0~+50 A1 = -10~+60 A2 = -20~+70 A3 = -30~+75 A4 = -45 ~+85 A5 = -55~+85	F = Fundamental 3R = 3 rd Overtone	T= tape&reel

i.e.: 49S-24.000C18-30/50-A1 -F-T